

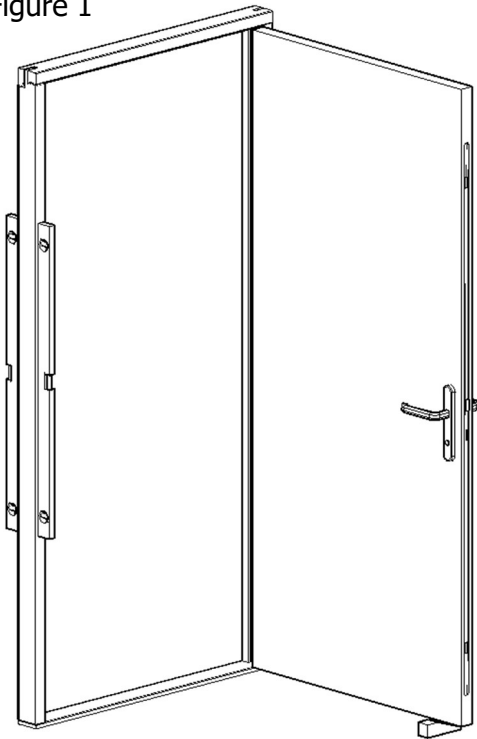
## Q-Mark Flat Entrance fitting instructions

Read through the Instructions thoroughly before commencing any work

Check the structural opening size against the door set, it is recommended that there is a 5mm clearance gap all the way around the outer edge of the frame.

Work in accordance with the sites manual handling policy, it is advised that two persons lift, move and position the door set.

Figure 1

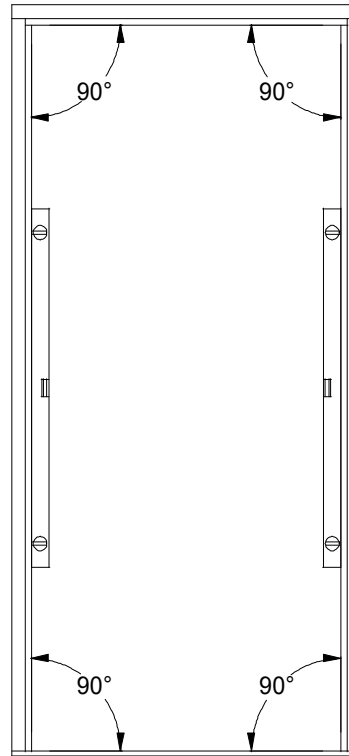


Place the door and frame in structural opening and then open the door 90 degrees. Position a suitable packer beneath the opening edge of the door leaf, ensure the hinge side of the frame is plumb to both internal and external faces using a spirit level.

If the floor is not level, fit packers under the jambs and cill.

Pack the hinge side of the frame ensuring the frame is plum and square, check that the leg is not bowed.

Figure 2

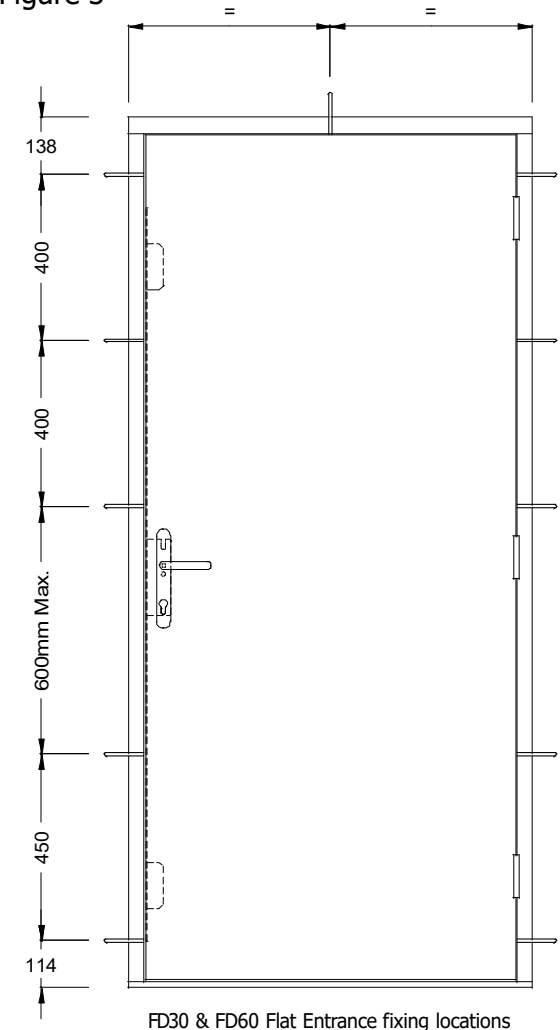


The positioning of installation fixings in height must be planned to avoid conflicts with the lock keeps, draught and intumescent fire seals.

Maximum of 600mm centres between fixings.

Dimensions shown are to suit a frame with a 926 x 2040 door blade.

Figure 3



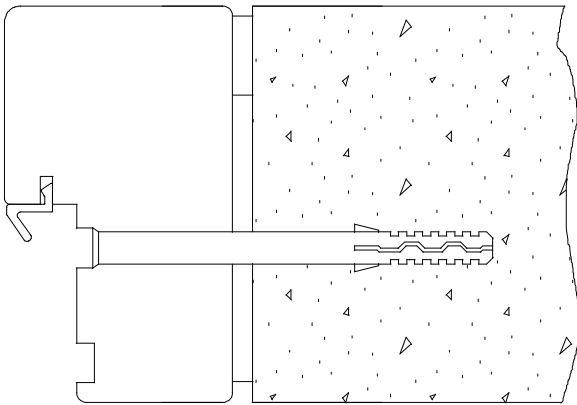
Ensure that frame is plumb, before fixing the hinge side of the door

Drill through the frame on the hinge side so that the fixings are in the intumescent groove, the fixings need to pass through the horse shoe packers.

Use Fischer or Rawlplug frame fixings 8 x 100 or similar that can be used on fire rated door sets and suit the wall substrate.

Hardwood & plasterboard packers can be used on FD60 fire rated doors, plastic horseshoe packers can be used on FD30 fire rated doors

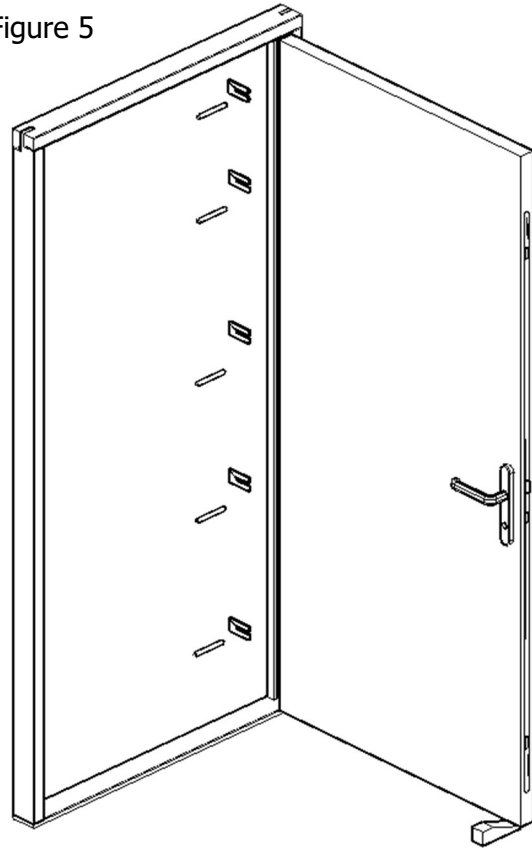
Figure 4



Note: See Sealing Structural Openings

Drill through the frame into the wall as shown in Figure 5 below, then loosely secure each frame fixing into the wall, then tap the horse shoe packers into position, before fully securing each frame fixing check that the frame has not moved out of square and is still plumb.

Figure 5



Drill through the frame on the lock side at the top of the frame as below in Figure 6 (see Figure 3 for dimensions), secure with a frame fixing and horse shoe packer.

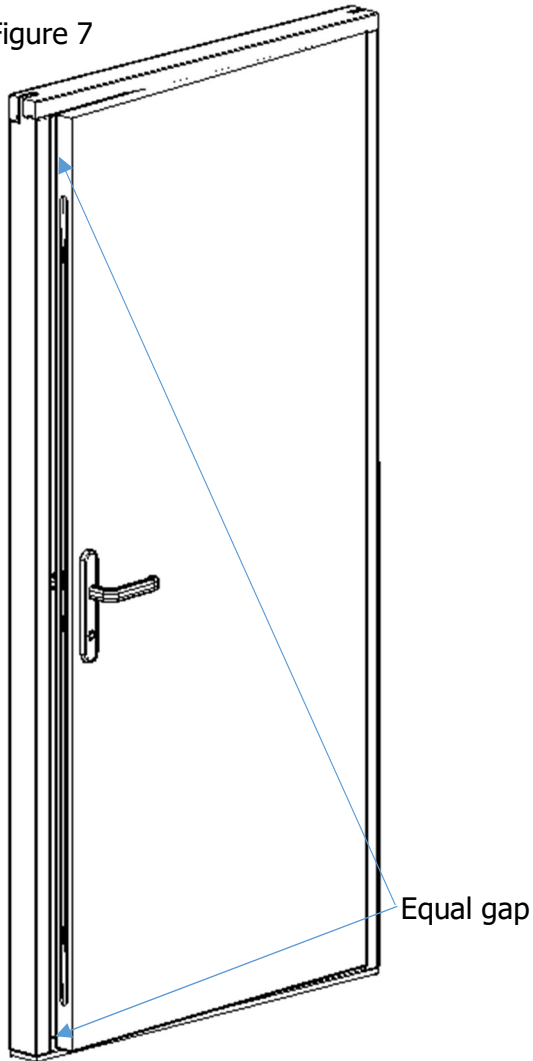
Check that the frame is square and plum as shown in Figure 1 and Figure 2

Figure 6



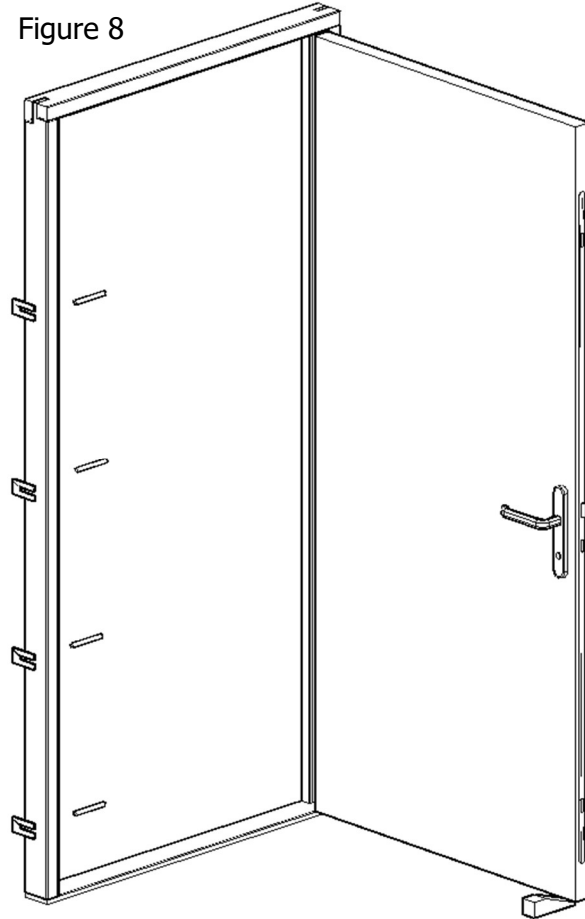
With the door almost closed, align the edge of the door with the edge of the frame, so that the gap is the same from the top to bottom of the door.

Figure 7



Repeat this procedure after each frame fixing point, this will allow for any possible bow or twist of the door leaf.

Figure 8



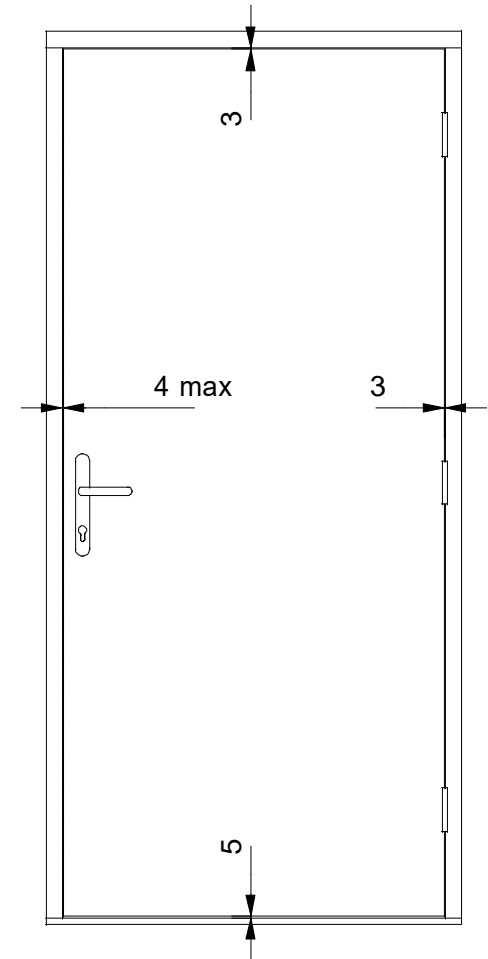
When all fixings are secured, the nominal gaps should be as shown in Figure 9

Check the operation of the lock

Keep adjustment can be done using a Torx T15 driver

Figure 9

See below for permitted door gaps



Apply an intumescent mastic sealant between the frame and the structural opening all around the frame, including under the cill if packing was required.

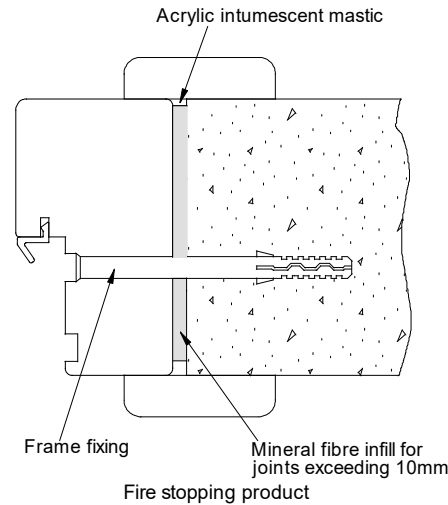
## Sealing Structural Openings

The door frame to structural opening must be protected by using one of the following methods and as shown in BS 8214:2016 clause 9.4.1 tables

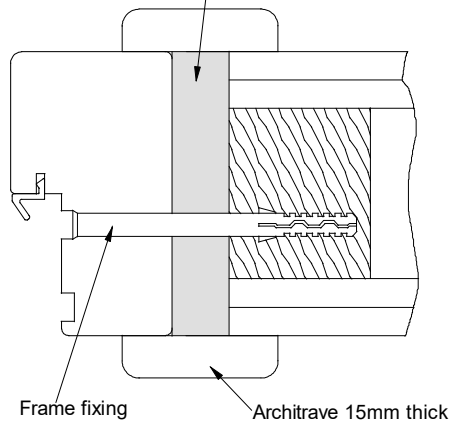
1. Joints up to 10mm must be sealed on both sides as shown, with a 10mm depth of acrylic intumescent mastic. 15mm thick architraves overlapping at least 15mm each side
2. Gaps between 10mm and 20mm must be tightly packed with mineral fibre/ceramic fibre capped on both sides with a 10mm depth of acrylic intumescent mastic
3. Joints up to 20mm must be tightly packed with mineral fibre/ceramic fibre capped on both sides with a 10mm depth of acrylic intumescent mastic, with 15mm thick architraves overlapping at least 15mm each side
4. Timber based or non-combustible sub-frame up to 50mm thick, with gaps up to 10mm between components filled on both sides with 10mm depth of acrylic intumescent and 15mm thick architraves overlapping at least 15mm each side

Architraves are to be manufactured from the same timber as the doorset frame or of a density and approved species that meets the required fire rating

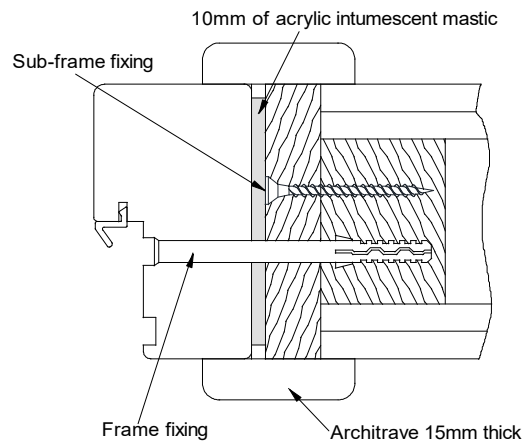
1 & 2



3



4



Acrylic intumescent, must be tested to EN 1366 part 4, BS 476 Part 22, BS 476 part 20 or BS

EN 1634-1. Integrity to be as fire doorset or higher as stated in BS 8214:2016 clause 9.4.2

Mineral fibre/ceramic fibre to meet Euroclass A1 or A2 to EN13501-1 and heat resistant to at least 1000° C.

Note: Expanding foam is **only suitable for FD30 fire doors**, specification of fire foam must be as per BS 8214:2016 clause 9.4.2

Q-Mark Fire Rating Identification Plugs are fitted on the edge of the door, below the top hinge and Enhanced Security Q-Mark stickers are fitted on the top edge of the door towards the lock side

Fit the two sets of intumescent which is supplied loose, into the grooves in the frame

The intumescent strips must be fitted to obtain the products fire rating

Adjust the drop seal as required

Fit a face fix overhead door closer as per manufactures instructions, and integral door closers if required are to be supplied and pre-machined by Pendle Doors.

Integral door closers must be fitted with the intumescent kit supplied with the closer

All Door Closers must be CE marked

Note: the following is not permitted: -

- Site trimming of doors
- Site cutting of any apertures