

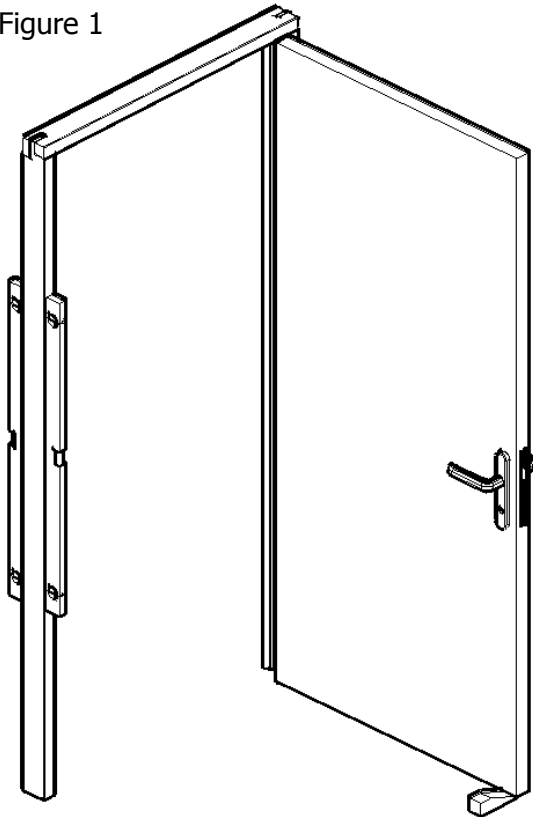
Fire Door fitting instructions

Read through the Instructions thoroughly before commencing any work

Check the structural opening size against the door set, it is recommended that there is a 5mm clearance gap all the way around the outer edge of the frame.

Work in accordance with the sites manual handling policy, it is advised that two persons lift, move and position the door set.

Figure 1

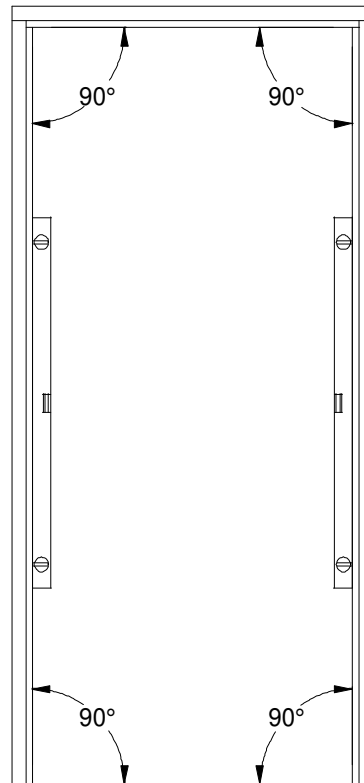


Place the door and frame in structural opening and then open the door 90 degrees. Position a suitable packer beneath the opening edge of the door leaf, ensure the hinge side of the frame is plumb to both internal and external faces using a spirit level.

If the floor is not level, fit packers under the jambs.

Pack the hinge side of the frame ensuring the frame is plum and square, check that the leg is not bowed.

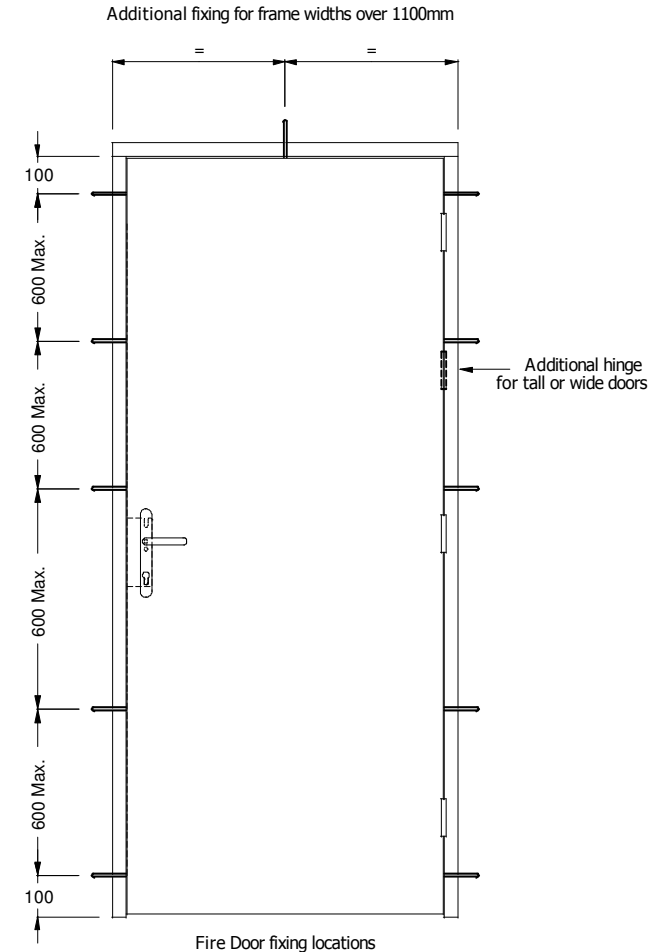
Figure 2



The positioning of installation fixings in height must be planned to avoid conflicts with the lock keeps, draught and intumescent fire seals.

Maximum of 600mm centres between fixings.

Figure 3



Ensure that frame is plumb, before fixing the hinge side of the door

Drill through the frame on the hinge side so that the fixings are in the intumescent groove, the fixings need to pass through the horse shoe packers.

Use Fischer or Rawlplug frame fixings 8 x 100 or similar that can be used on fire rated door sets and suit the wall substrate.

Steel horse shoe packers or suitably rated packers must be used on fire rated doors

Figure 4a FD30 frame

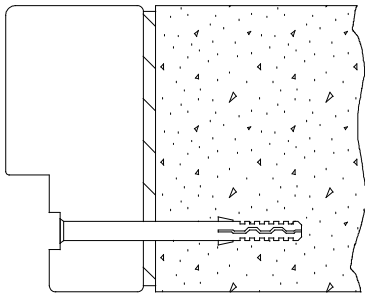
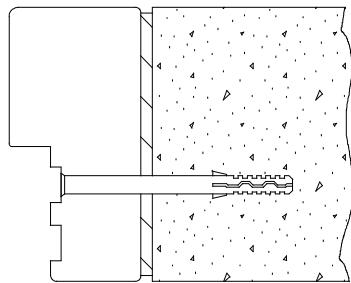
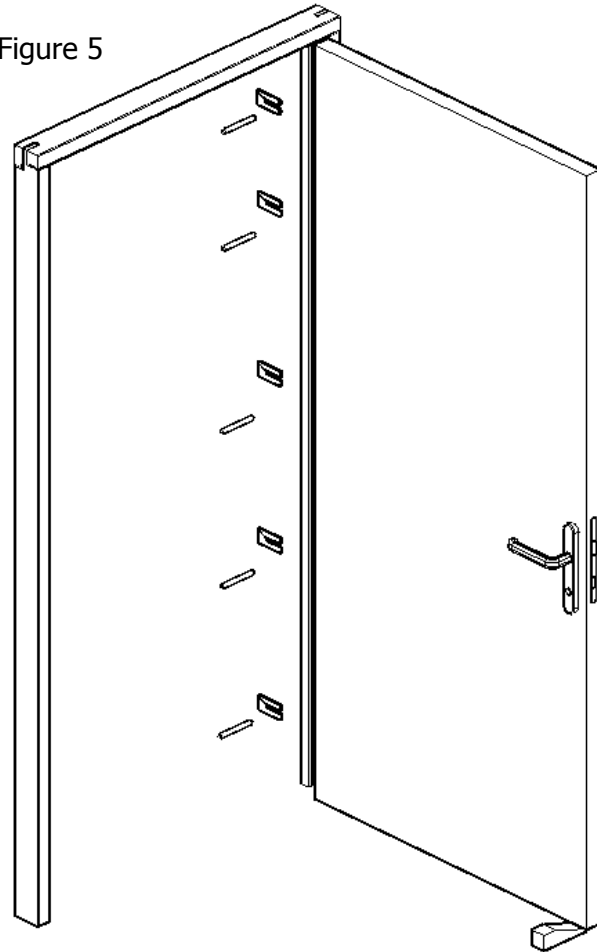


Figure 4b FD60 frame



Drill through the frame into the wall as shown in Figure 5 below, then loosely secure each frame fixing into the wall, then tap the horse shoe packers into position, before fully securing each frame fixing check that the frame has not moved out of square and is still plumb.

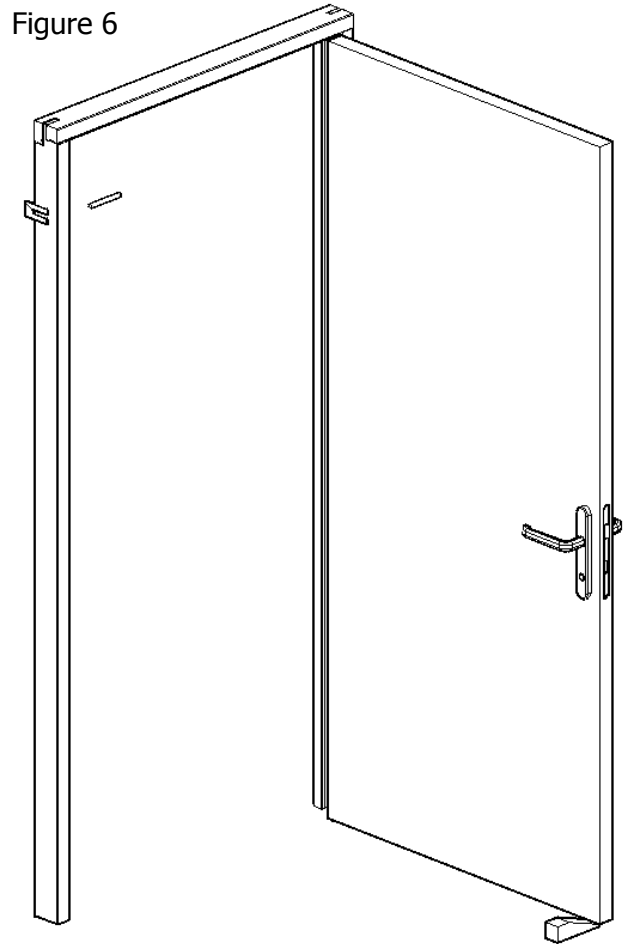
Figure 5



Drill through the frame on the lock side at the top of the frame as below in Figure 6 (see Figure 3 for dimensions), secure with a frame fixing and horse shoe packer.

Check that the frame is square and plum as shown in Figure 1 and Figure 2

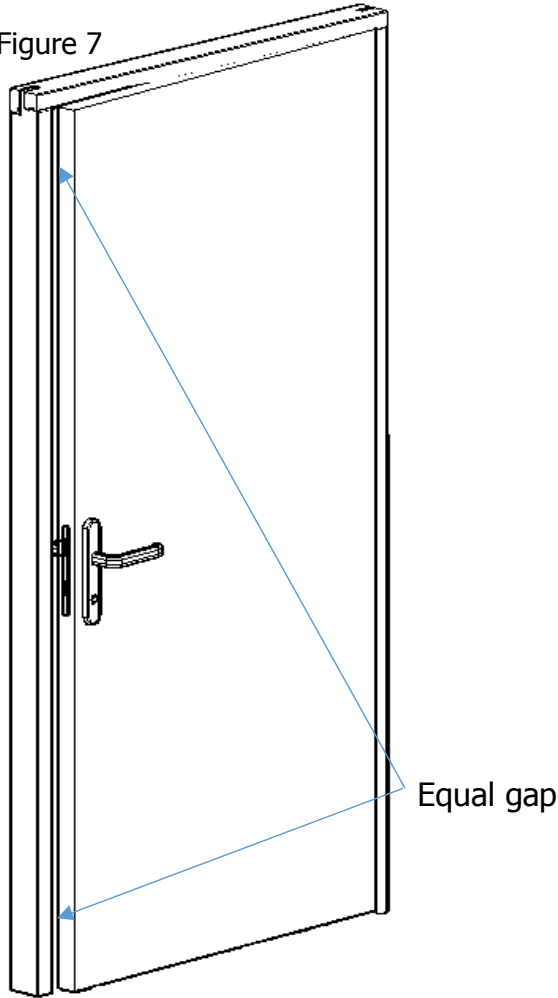
Figure 6



Note: See Sealing Structural Openings

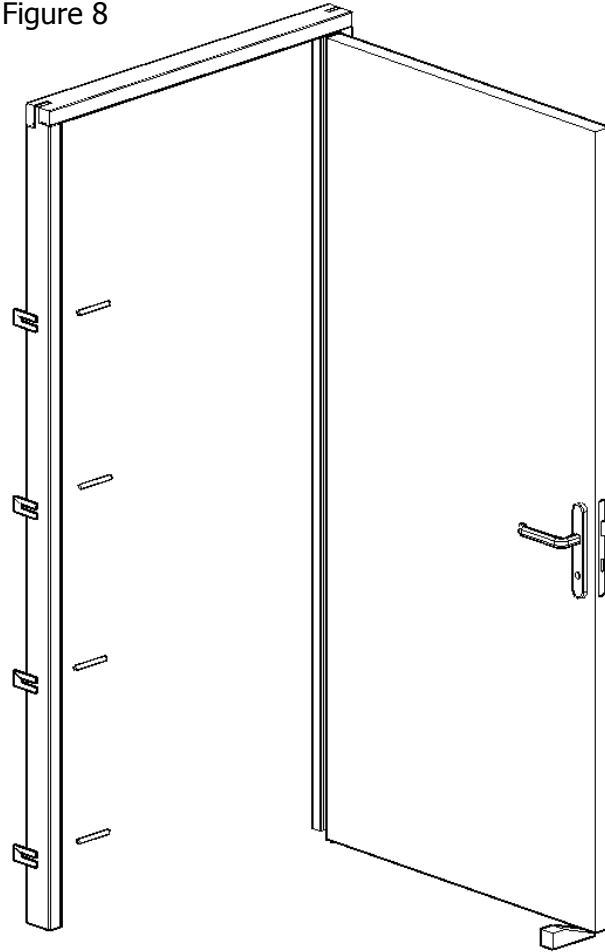
With the door almost closed, align the edge of the door with the edge of the frame, so that the gap is the same from the top to bottom of the door.

Figure 7



Repeat this procedure after each frame fixing point, this will allow for any possible bow or twist of the door leaf.

Figure 8



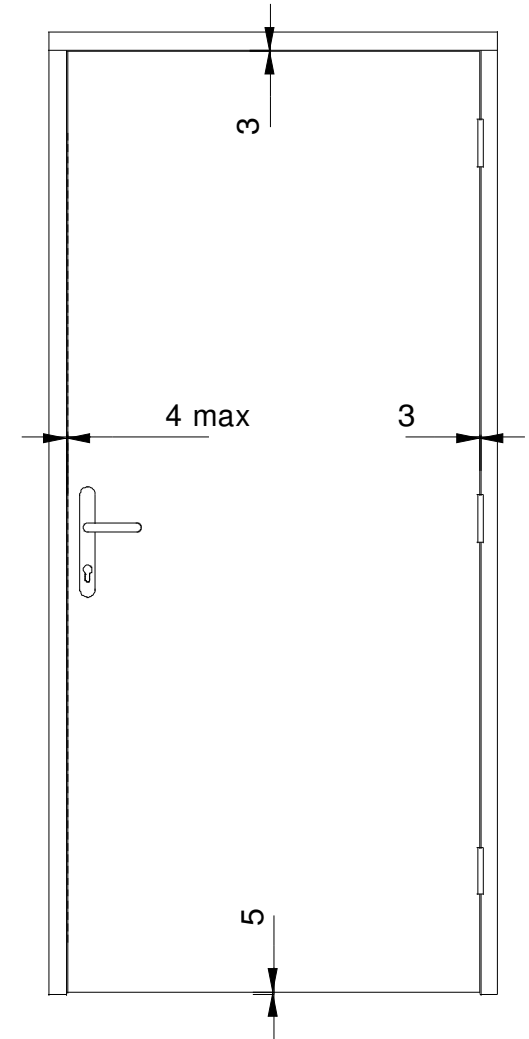
When all fixings are secured, the nominal gaps should be as shown in Figure 9

If fitting a lock (Certifire CE marked) ensure the relevant intumescent is fitted as per manufactures instructions.

Check the operation of the lock
Adjust the lock keep to ensure that the lock latches correctly

Figure 9

See below for permitted door gaps



Apply an intumescent mastic sealant between the frame and the structural opening all around the frame.

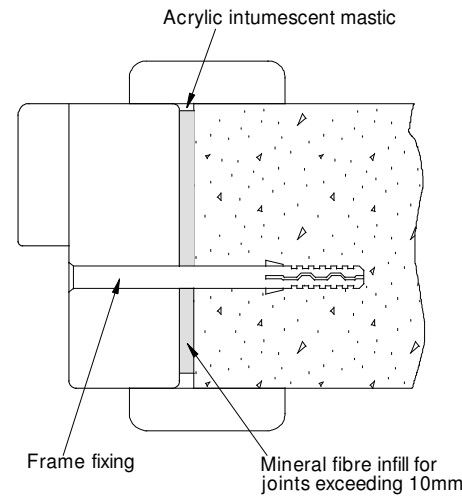
Sealing Structural Openings

The door frame to structural opening must be protected by using one of the following methods

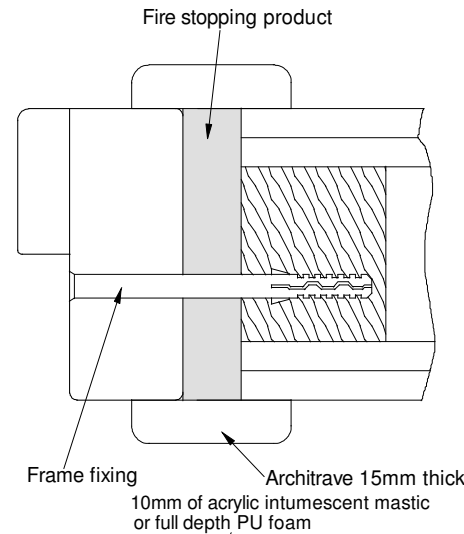
1. Joints up to 10mm must be sealed on both sides as shown, with a 10mm depth of acrylic intumescent mastic. 15mm thick architraves overlapping at least 15mm each side
2. Gaps between 10mm and 20mm must be tightly packed with mineral fibre capped on both sides with a 10mm depth of acrylic intumescent mastic
3. Joints up to 20mm must be filled with expanding PU foam or preformed compressible intumescent foam and 15mm thick architraves overlapping at least 15mm each side
4. Timber based or non-combustible sub-frame up to 50mm thick, with gaps up to 10mm between components filled on both sides with 10mm depth of acrylic intumescent or full depth expanding PU foam and 15mm thick architraves overlapping at least 15mm each side

Note: Acrylic intumescent, expanding PU foam and preformed compressible intumescent foam must be tested to meet BS 476: Part 22 1987 or BS EN 1634-1

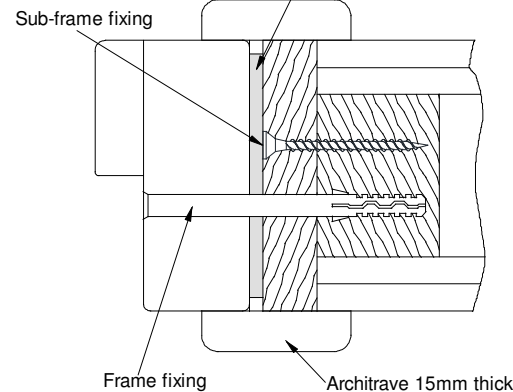
1 & 2



3



4



Fit the intumescent strips which are supplied loose into the frame grooves, the intumescent strips must be fitted to obtain the products fire rating

If a Drop Seal is fitted adjust as required

Fit a face fix overhead door closer as per manufactures instructions, and integral door closers if required are to be supplied and pre-machined by Pendle Doors.

Integral door closers must be fitted with the intumescent kit supplied with the closer

All Door Closers are to be Certifire, Hinges and Locks must be CE marked

Locks, Keeps, Shoot Bolts and Butt Hinges must be fitted with intumescent kits

Note: the following is not permitted:-

- Site trimming of doors
- Site cutting of glazing or letterplate apertures